

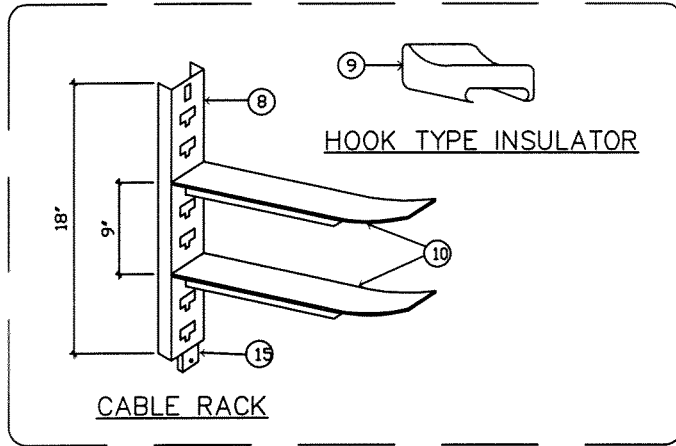


GUAM POWER AUTHORITY
 P.O. BOX 2977 HAGATNA, GUAM 96932-2977
 PREPARED BY ENGINEERING DEPARTMENT

5' x 4' x 5' CONCRETE
 PRIMARY HANDHOLE

REF. 2103.1

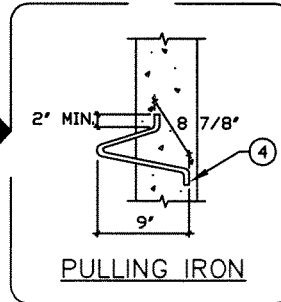
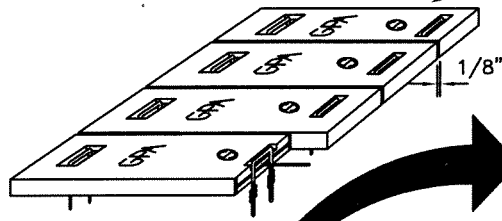
REV. 1



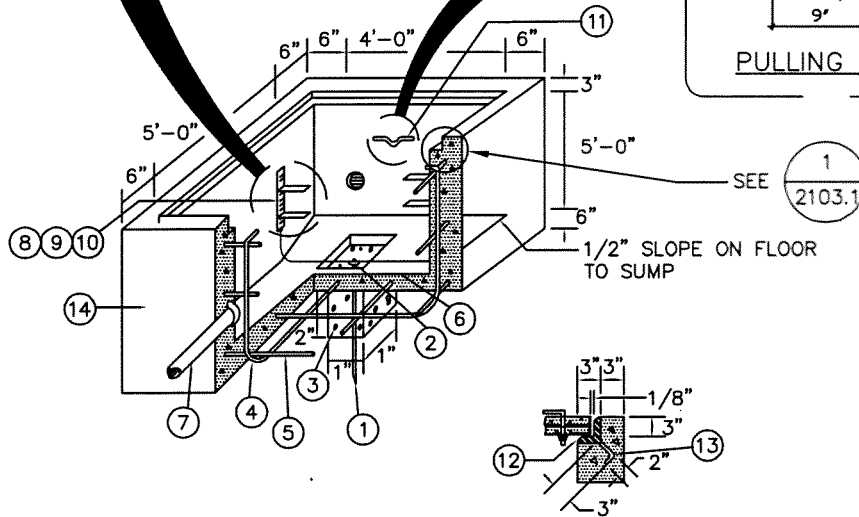
HOOK TYPE INSULATOR

CABLE RACK

SEE COVER DETAIL 2104.1 AND 2104.2

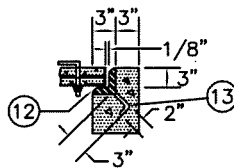


PULLING IRON



SEE 1
 2103.1

1/2" SLOPE ON FLOOR
 TO SUMP



1 ANGLE IRON
 2103.1 NOT TO SCALE

A PRIMARY HANDHOLE
 2103.1 SCALE: NONE

EFFECTIVE DATE: 9/12/07

ISSUED: *[Signature]*

APPROVED: *[Signature]*

